

SECTION 4 CHARTS AND DIAGRAMS

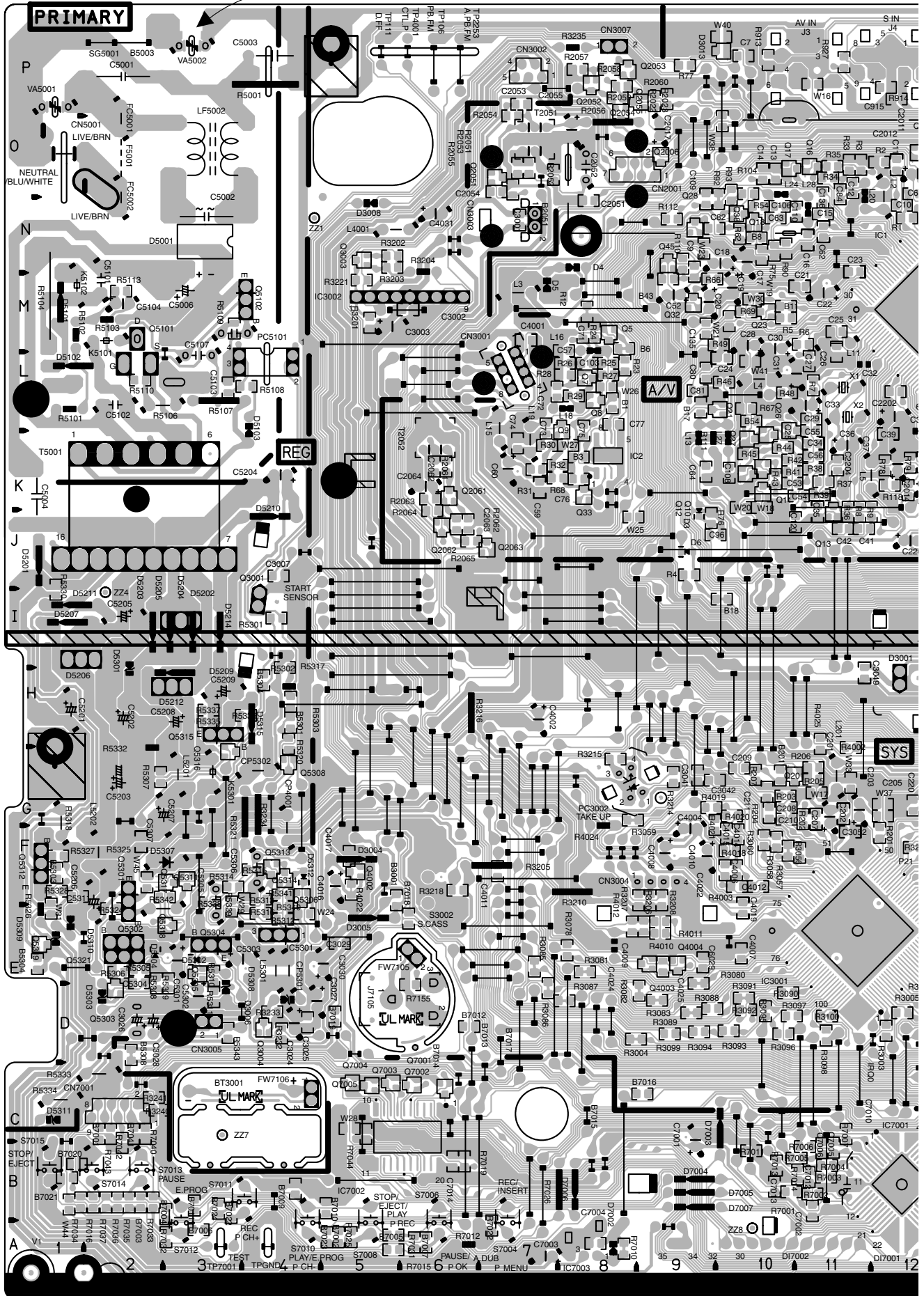
COMPONENT PARTS LOCATION GUIDE <MAIN>

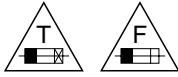
REF.NO.	LOCATION	REF.NO.	LOCATION	REF.NO.	LOCATION	REF.NO.	LOCATION	REF.NO.	LOCATION	REF.NO.	LOCATION	REF.NO.	LOCATION	REF.NO.	LOCATION				
CAPACITOR																			
C1	B C	C535	B C	C4031	A D	6N	A D	D5210	A D	4J	B C	R507	B C	20D	R3087				
C2	B C	C551	B C	C5001	A D	2P	A D	D5211	A D	2J	B C	R508	B C	19D	R3088				
C3	B C	C552	B C	C5002	A D	4N	A D	D5212	A D	2H	B C	R509	B C	19D	R3089				
C4	B C	C553	B C	C5003	A D	4P	A D	D5214	A D	3I	B C	R510	B C	19E	R3090				
C5	B C	C554	B C	C5004	A D	1K	A D	D5301	A D	3E	B C	R511	B C	20J	R3091				
C6	B C	C555	B C	C5005	A D	2M	A D	D5302	A D	3E	B C	R512	B C	20K	R3092				
C7	B C	C556	B C	C5101	A D	2N	A D	D5303	A D	2E	B C	R513	B C	20D	R3093				
C8	B C	C557	B C	C5102	A D	2L	A D	D5304	A D	2E	B C	R514	B C	20E	R3094				
C9	B C	C558	B C	C5103	A D	3L	A D	D5307	A D	2F	B C	R515	B C	20E	R3095				
C10	B C	C559	B C	C5104	A D	2M	A D	D5308	A D	3D	B C	R522	B C	18H	R3096				
C11	B C	C560	B C	C5105	A D	3M	A D	D5309	A D	1E	B C	R523	B C	18H	R3097				
C12	B C	C561	B C	C5107	A D	3L	A D	D5310	A D	1E	B C	R524	B C	17G	R3098				
C13	B C	C563	B C	C5201	A D	1H	A D	D5311	A D	1C	B C	R525	B C	19H	R3099				
C14	B C	C565	B C	C5202	A D	2H	A D	D5312	B C	4F	B C	R901	B C	21P	R3100				
C15	B C	C567	B C	C5203	A D	2G	A D	D5315	A D	4H	B C	R902	B C	21P	R3201				
C16	B C	C901	A D	C5204	A D	4K	A D	D6002	A D	21L	B C	R904	A D	20P	R3202				
C17	B C	C903	A D	C5205	A D	2I	A D	D6551	A D	21L	B C	R905	B C	20N	R3203				
C18	B C	C904	B C	C5206	A D	2E	A D	D6650	B C	21F	B C	R911	B C	20P	R3204				
C19	B C	C911	A D	C5207	A D	3G	A D	D7001	A D	14B	B C	R912	B C	21B	R3205				
C20	B C	C912	A D	C5208	A D	3H	A D	D7002	A D	8A	B C	R913	B C	10P	R3206				
C21	B C	C913	A D	C5209	A D	3H	A D	D7003	A D	10B	B C	R914	B C	10P	R3207				
C22	B C	C914	B C	C20G	C5301	A D	3E	D7004	A D	10B	B C	R915	B C	12P	R3208				
C23	B C	C915	B C	C22P	C5302	A D	3D	D7005	A D	10B	B C	R916	B C	13P	R3209				
C24	B C	C2001	A D	D 14K	C5303	A D	3E	D7006	A D	8B	B C	R917	B C	14P	R3210				
C25	B C	C2002	A D	D 13K	C5304	A D	2E	D7007	A D	10B	B C	R918	B C	18N	R3211				
C26	B C	C2003	A D	D 14N	C5305	A D	3F	D7008	A D	16A	B C	R919	A D	19N	R3212				
C27	B C	C2004	B C	C 14N	C5306	A D	2F	D7009	A D	16A	B C	R920	B C	18N	R3213				
C28	B C	C2006	B C	C 13O	C5311	B C	1F				R922	A D	19N	R3215					
C29	B C	C2007	A D	D 13O	C6005	A D	20L	IC								R924	B C	20G	R3216
C30	B C	C2008	A D	D 13N	C6006	B C	22M	IC1	B C	12M		R925	B C	20G	R3217				
C31	B C	C2009	A D	D 13O	C6007	A D	21M	IC2	B C	8K		R926	B C	12P	R3218				
C32	B C	C2010	B C	C 13O	C6008	B C	22M	IC501	B C	19G		R927	B C	11P	R3219				
C33	B C	C2011	A D	D 12O	C6010	A D	21O	IC502	A D	19E		R2001	B C	15J	R3220				
C34	B C	C2012	A D	D 12O	C6011	B C	22O	IC2201	A D	14K		R2002	B C	15J	R3221				
C35	B C	C2015	B C	C 13K	C6021	B C	22N	IC3001	A C	11E		R2003	B C	15K	R3222				
C36	B C	C2017	A D	D 9O	C6022	B C	22N	IC3002	A D	5M		R2004	B C	15K	R3223				
C37	B C	C2018	A D	D 8N	C6023	B C	22M	IC3003	B C	14D		R2005	B C	13L	R3224				
C38	B C	C2052	A D	D 8O	C6029	B C	9E	IC3004	B C	16B		R2006	B C	13L	R3225				
C39	B C	C2053	B C	C 7P	C6033	B C	22J	IC3005	A D	4E		R2007	B C	14K	R3226				
C40	B C	C2054	B C	C 7P	C6035	B C	22D	IC6601	A D	20I		R2008	B C	13L	R3227				
C41	B C	C2055	A D	D 9O	C6052	B C	22O	IC6602	B C	22E		R2009	B C	13L	R3228				
C42	B C	C2061	A D	D 19L	C6519	B C	20K	IC7001	B C	12B		R2010	B C	13L	R3229				
C43	B C	C2062	B C	C 6K	C6520	B C	20K	IC7002	A D	8A		R2011	A D	15M	R3235				
C44	B C	C2063	B C	C 6J	C6551	A D	20L	IC7003	A D	8A		R2012	B C	16M	R3236				
C45	B C	C2064	B C	C 6K	C6552	A D	21L	JACK								R2013	B C	13N	R3237
C46	B C	C2201	B C	C 12K	C6553	A D	20K	J1	A D	20P		R2014	B C	13O	R3238				
C47	B C	C2202	B C	C 12L	C6554	B C	20K	J2	A D	21P		R2015	B C	13O	R3239				
C48	B C	C2203	A D	D 12K	C6555	B C	20K	J3	A D	12P		R2016	B C	13O	R3241				
C49	B C	C2204	B C	C 11K	C6601	A D	20K	J4	A D	13P		R2017	B C	13O	R3242				
C50	B C	C2205	A D	D 12J	C6602	A D	20J	J5	A D	13P		R2018	A D	15H	R3243				
C51	B C	C2206	A D	D 12J	C6603	B C	20H	J7101	A D	20A		R2019	B C	13O	R3244				
C52	B C	C2207	A D	D 13J	C6605	A D	20J	J7104	A D	19O		R2020	B C	13O	R4001				
C53	B C	C2208	A D	D 13K	C6606	A D	20J	J7105	A D	5D		R2021	B C	13N	R4002				
C54	B C	C2209	A D	D 13K	C6607	B C	20H	COIL								R2022	B C	9P	R4003
C55	B C	C2210	A D	D 13K	C6608	B C	20H	L1	A D	16N		R2023	B C	9P	R4004				
C56	B C	C2211	A D	D 14K	C6609	B C	20H	L2	A D	12O		R2024	B C	7O	R4006				
C57	B C	C2212	A D	D 14K	C6613	A D	20H	L3	A D	7M		R2025	B C	7O	R4010				
C58	B C	C2215	A D	D 13L	C6617	A D	21H	L4	A D	10L		R2026	B C	7O	R4012				
C59	B C	C2216	A D	D 13L	C6619	A D	21I	L5	A D	11K		R2027	B C	7O	R4018				
C60	B C	C2217	A D	D 13L	C6650	B C	21E	L11	A D	11M		R2028	A D	9O	R4019				
C61	B C	C2218	A D	D 14M	C6651	B C	22E	L13	A D	9K		R2029	B C	8P	R4020				
C62	B C	C2219	A D	D 15L	C6652	B C	22E	L15	A D	7L		R2030	B C	8P	R4021				
C63	B C	C2220	A D	D 15L	C6653	B C	22E	L16	A D	8M		R2031	B C	8P	R4022				
C64	B C	C2221	B C	C 15L	C6654	A D	21D	L18	A D	7L		R2032	B C	8P	R4024				
C65	B C	C2222	A D	D 15M	C7001	A D	9B	L19	A D	7K		R2033	B C	6K	R4025				
C66	B C	C2223	A D	D 15M	C7002	B C	11B	L20	A D	11O		R2034	B C	6K	R5001				
C67	B C	C2224	B C	C 15L	C7003	A D	7A	L24	A D	11N		R2035	B C	6J	R5101				
C68	B C	C2225	A D	D 16L	C7004	B C	8A	L27	A D	10K		R2036	B C	6J	R5102				
C69	B C	C2226	A D	D 14M	C7005	B C	11B	L28	A D	11N		R2037	B C	6J	R5103				
C70	B C	C2227	A D	D 14M	C7006	B C	11B	L29	A D	11G		R2038	B C	17N	R5104				
C71	B C	C2215	A D	D 13L	C6650	B C	21E	L203	A D	12G		R2039	A D	1N	S7002				
C72	B C	C2216	A D	D 13L	C6619	A D	21I	L401	A D	16O		R2040	A D	3L	S7004				
C73	B C	C2217	A D	D 13L	C6650	B C	21E	L402	A D	16O		R2041	B C	4L	S7006				
C74	B C	C2218	A D	D 14M	C6651	B C	22E	L501	A D	20F		R2042	B C	3M	S7008				
C75	B C	C2219	A D	D 15L	C6652	B C	22E	L502	A D	17F		R2043	B C	2L	S7010				
C76	B C	C2220	A D	D 15L	C6653	B C	22E	L503	A D	18F		R2044	B C	2M	S7011				
C77	B C	C2221	B C	C 15L	C6654	A D	21D	L504	A D	20F		R2045	B C	4I	S7012				
C78	B C	C2222	A D	D 15M	C7001	A D	9B	L505	A D	19N		R2046	B C	4H	S7013				
C79	B C	C2223	A D	D 15M	C7002	B C	11B	L2001	A D	16M		R2047	B C	4H	S7014				
C80	B C	C2224	B C	C 15L	C7003	A D	7A	L2251	A D	15M		R2048	B C	4H	S7015				
C81	B C	C2225	A D	D 16L	C7004	B C	8A	L4001	A D	6N		R2049	B C	2E	S7016				
C82	B C	C2226	A D	D 14M	C7005	B C	11B	L5201	A D	3G		R2050	B C	2E					
C83	B C	C2227	A D	D 14M	C7006	B C	11B	L5202	A D	2F		R2051	B C	2G					
C84	B C	C2228	A D	D 15L	C7007	A D	10C	L5203	A D	4D		R2052	B C	2E					
C85	B C	C2229	A D	D 15L	C7008	B C	13B	L6003	A D	21O		R2053	B C	3E					
C86	B C	C2230	A D	D 15L	C7009	A D	12C	L6004	A D	21K		R2054	B C	3D					
C87	B C	C2231	A D	D 18M	C7010	A D	11B	L6032	A D	22K		R2055	B C	4E					
C88	B C	C2232	A D																

4.1 MAIN, R.PAUSE, C.BOX CTL CIRCUIT BOARDS

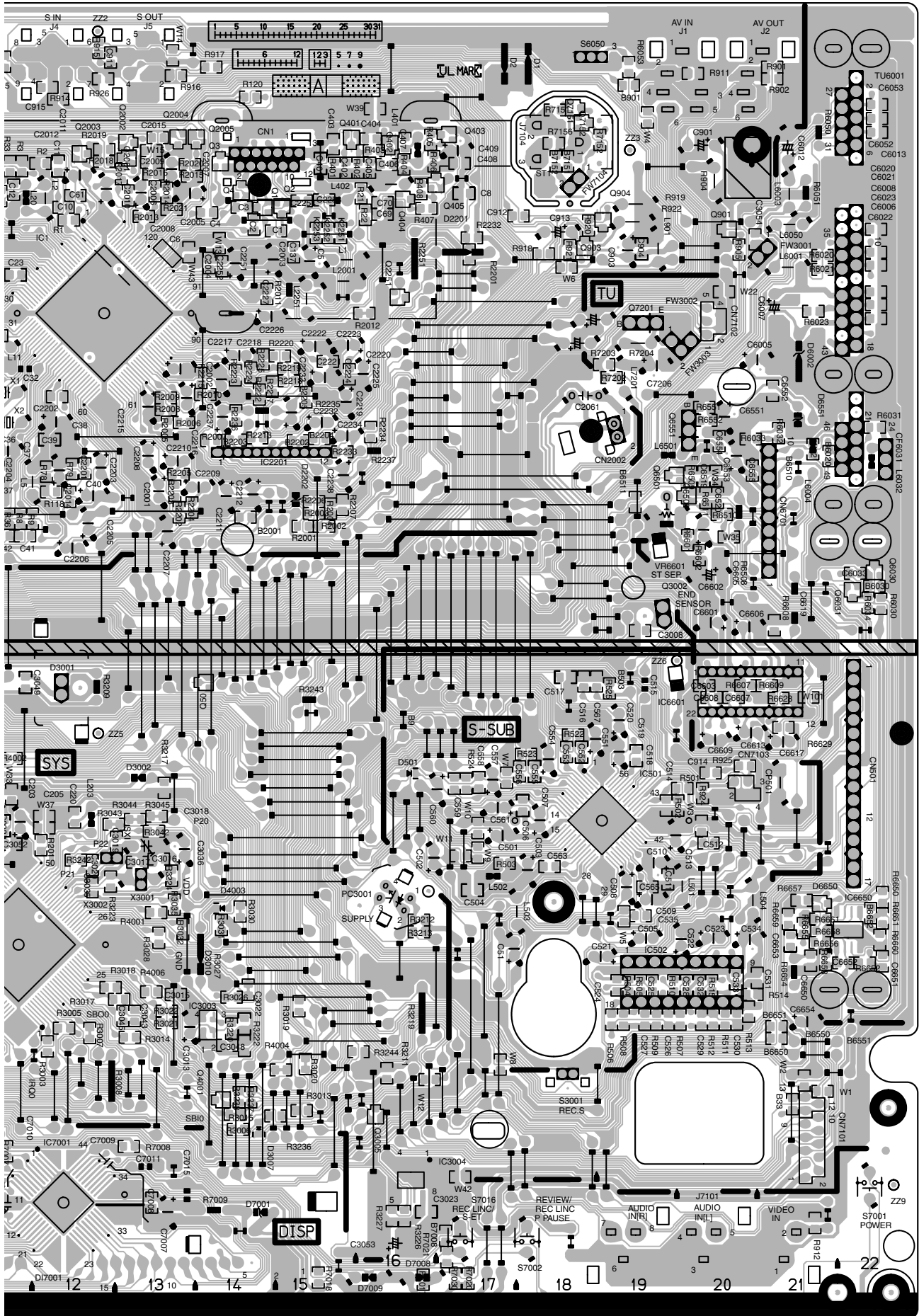
<03> MAIN, <91> R.PAUSE, <92> C.BOX CTL
LPB10134-001F

DANGEROUS VOLTAGE





CAUTION :
FOR CONTINUED PROTECTION AGAINST FIRE HAZARD, REPLACE ONLY WITH SAME TYPE AND RATED FUSE(S).
ATTENTION :
REPLACER PAR DES FUSIBLE DE MEME TYPE.



4.3 3D DIGITAL/2M SCHEMATIC DIAGRAM

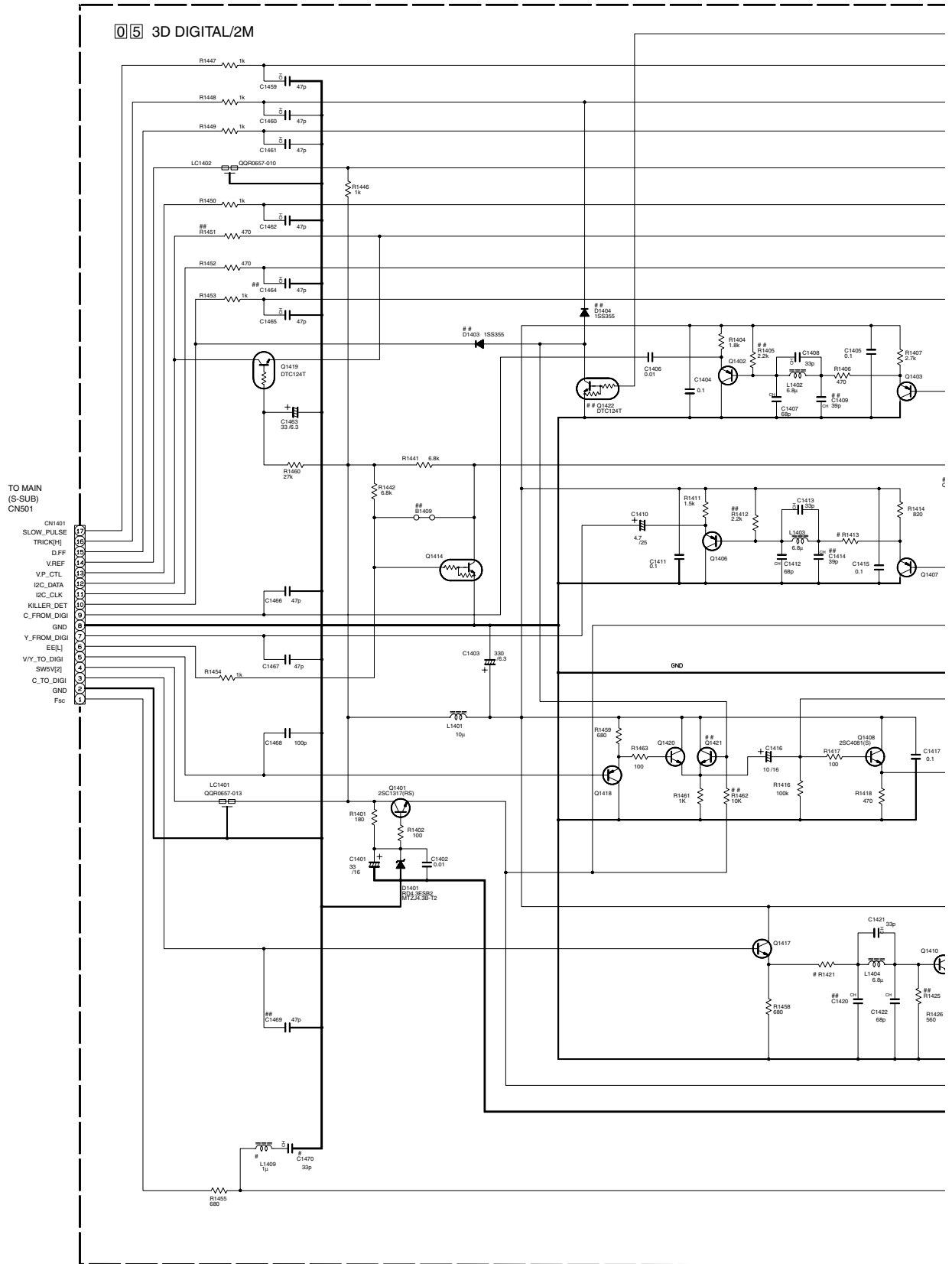
5

4

3

2

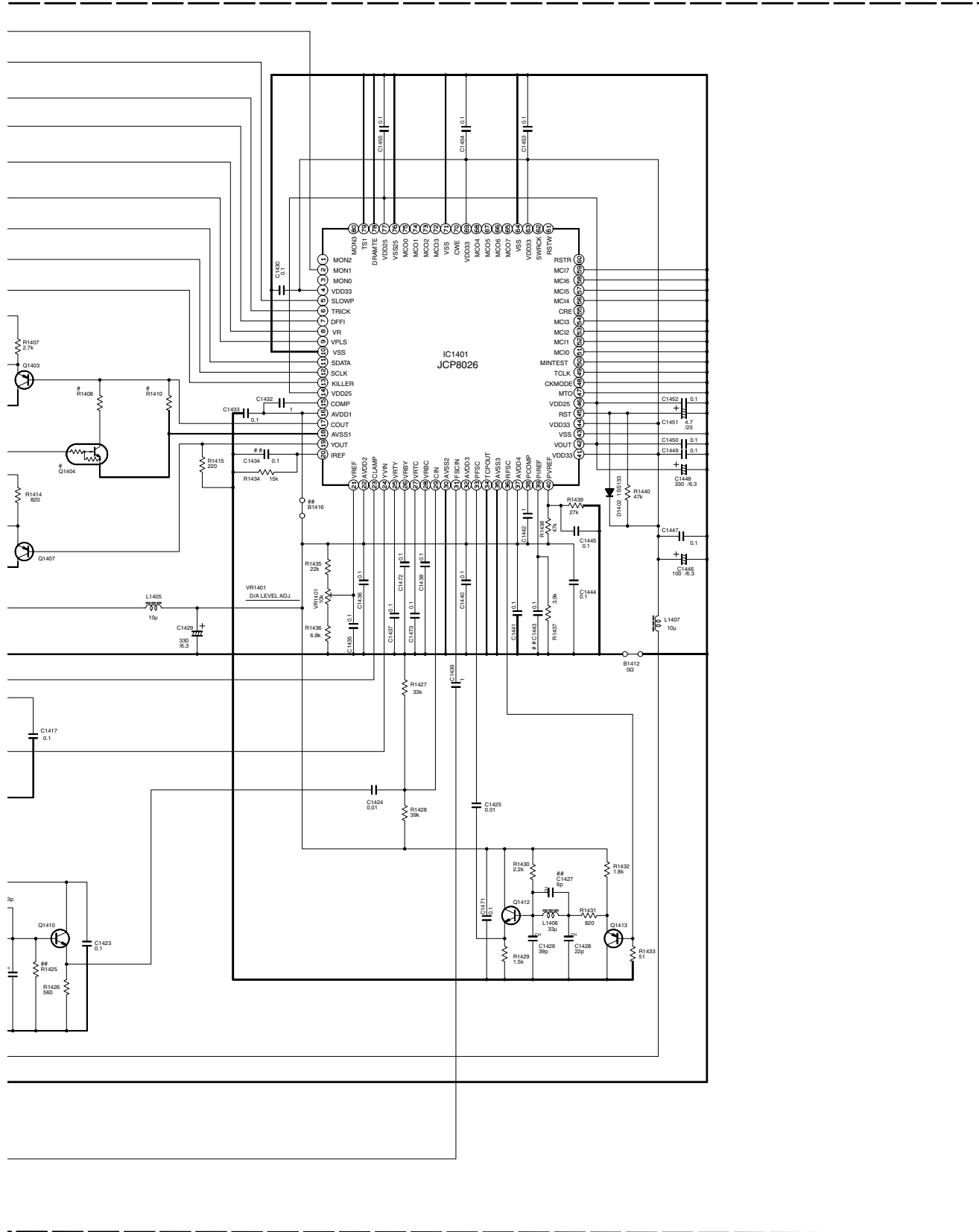
1



NOTES UNLESS OTHERWISE SPECIFIED.
 ALL RESISTANCE VALUES ARE IN OHMS.
 ALL INDUCTANCE VALUES ARE IN H.
 ALL CAPACITANCE VALUES ARE IN μ F.

ELECTROLYTIC
 CERAMIC
 MYLER
 NON POLAR

Note : The Parts Number, value and rated voltage etc. in the Schematic Diagram are for references only. When replacing the parts, refer to the Parts List.



MARK ELEMENTS ARE NOT MOUNTED.
 ALL SINGLE DIODE:1S5133 OR 1N4148.
 ALL PNP TRANSISTOR:2SA1576A(QR) OR 2SB1218A(QR) OR 2PA1576(R)
 ALL NPN TRANSISTOR:2SC4081(QRS) OR 2SD1819A(QRS) OR 2PC4081(F)
 ALL NPN DIGITAL TRANSISTOR:DTC144WUA OR UNS21E OR RN1309

DIFFERENCE TABLE

	Q1404	R1408	R1419	R1413	R1421	C1470	L1409
PALMS	○	1.2k	390	330	390	33p	1u
NTSC	×	OPEN	240	470	330	OPEN	OPEN

